



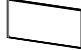





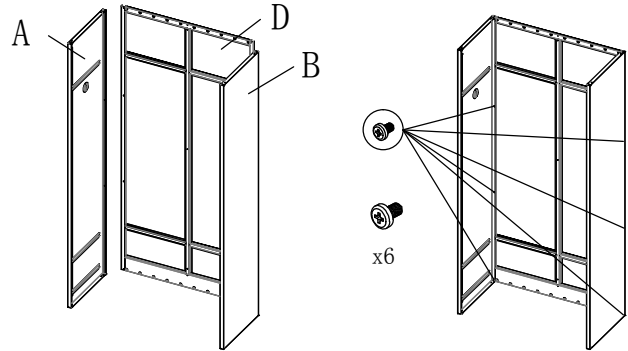


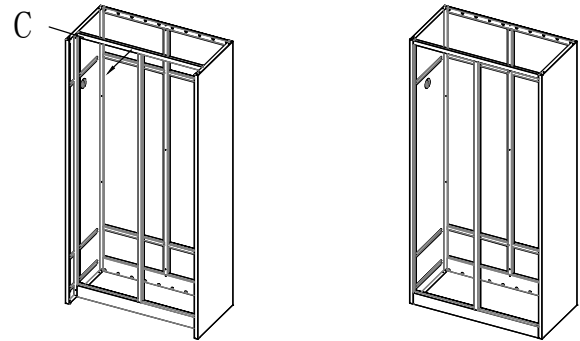
Part ID	Description	Illustration	Qty
A	Left side plate		1
B	Right side plate		1
C	Front frame		1
D	Rear Wall		1
E	Top		1
F	Bottom		1
G	Middle side		1
H	Shelf	 Big	2
I	Shelf	 Small	2
J	Door		2

BZ-C-C2 Installation Instructions

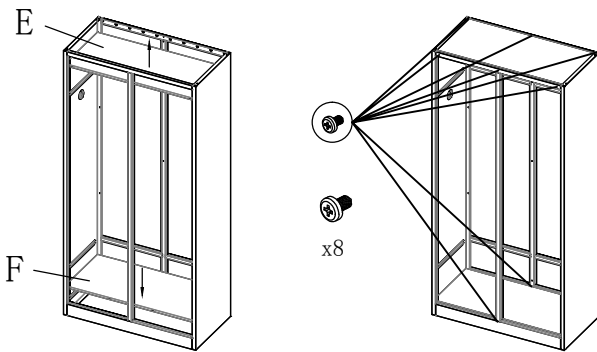
1. Use screws to A and B mounted to the D



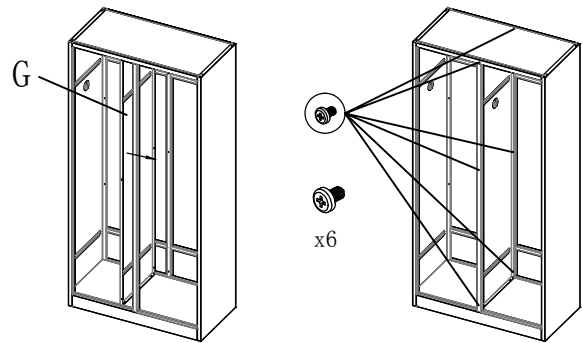
2. As shown, install the C to the cabinet



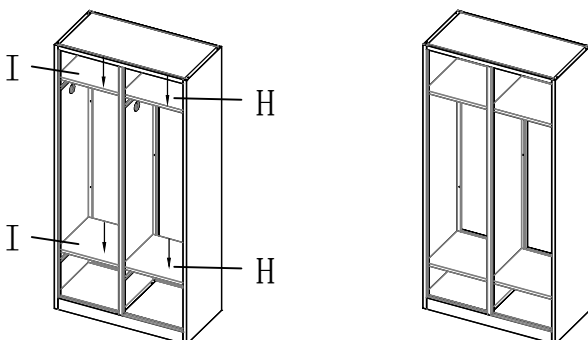
3. Installing E and F to the cabinet, and secure with screws



4. Figure, mounted with screws to the cabinet G



5. As shown, the mounting H and I



6. Cabinet mounted to J

