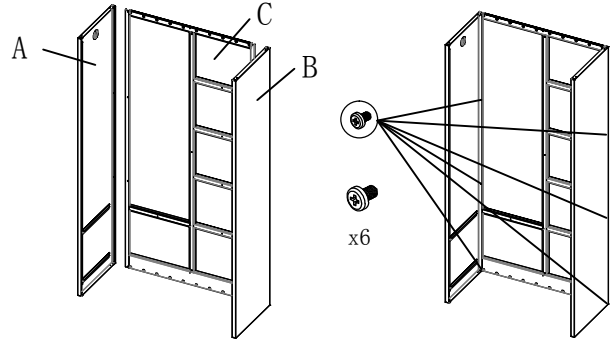


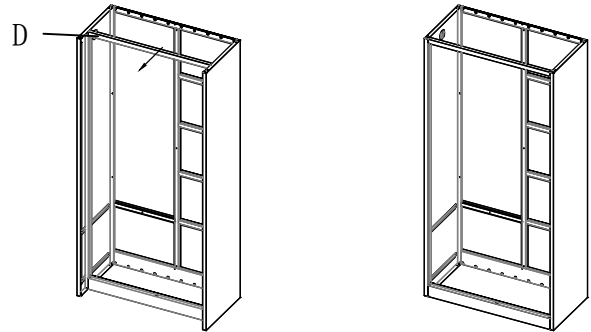
BC-C-DZ Installation Instructions

Part ID	Description	Illustration	Qty
A	Left Side Panel		1
B	Right Side Panel		1
C	Rear Wall		1
D	Front frame		1
E	Top		1
F	Bottom		1
G	Middle Side Panel		1
H	Shelf		4
I	Shelf		1
J	Left Door		1
K	Right Door		1

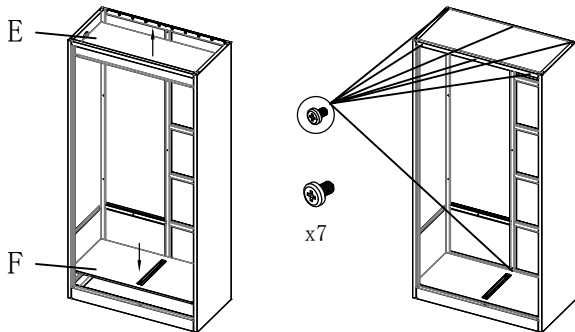
1. Screw the A, B connected to C



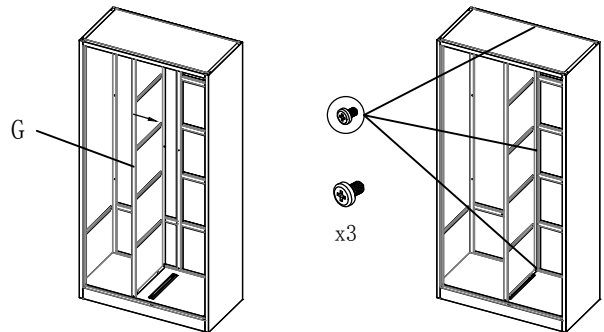
2. As shown, the installation of the D to A, B inside



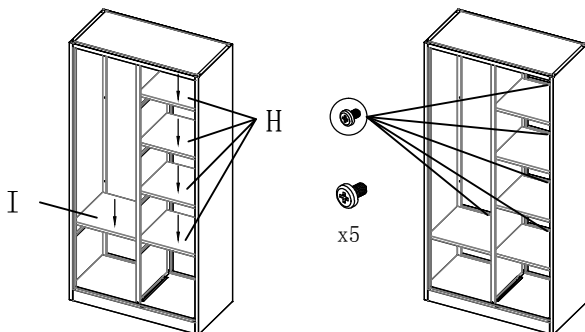
3. Installing E, F to the cabinet, and secure with screws



4. Installing the G to the cabinet, and secure with screws



5. Installing H, I to the cabinet, and secure with screws



6. Installation J, K to the cabinet

