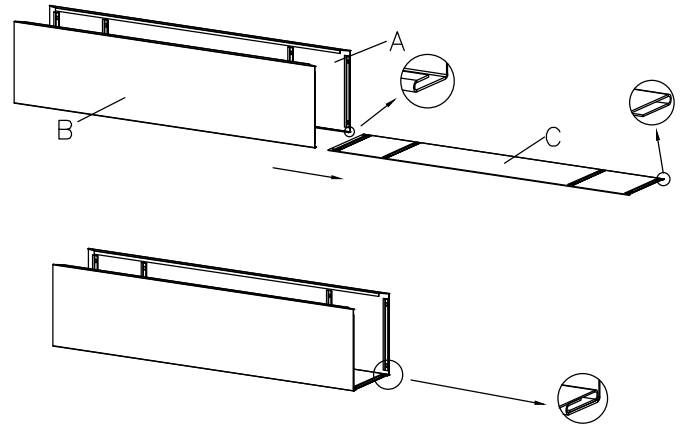


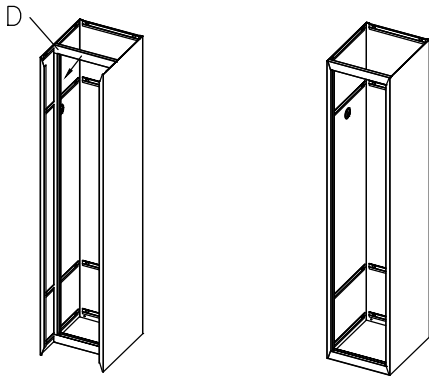
Part ID	Description	Illustration	Qty
A	Left Side Plate		1
B	Right Side Plate		1
C	Rear Wall		1
D	Front Frame		1
E	Shelf		4
F	Door		1
G	Lock		1
H	Door Shaft		1

BZ-C-A1 Installation Instructions

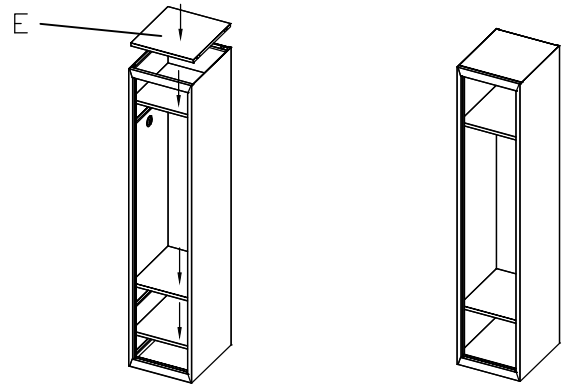
1. As shown, the C assemble into A, B in



2. Installing the D to the cabinet



3. Figure, mounted to the cabinet of E



4. Installing the G to F, and then the F followed by the installation from the bottom up

