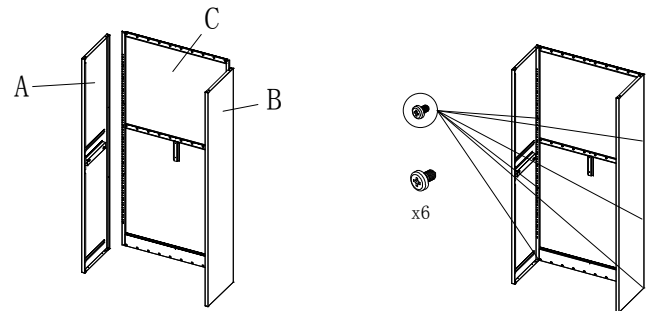


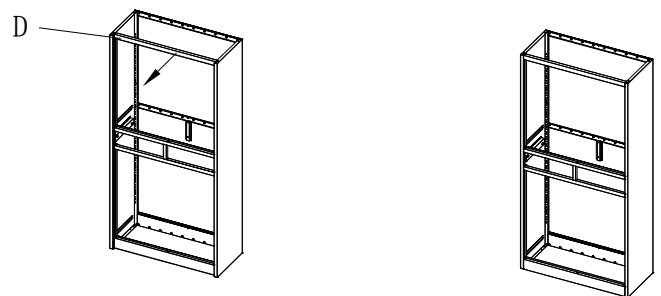
Part ID	Description	Illustration	Qty
A	Left side plate		1
B	Right side plate		1
C	Rear wall		1
D	Front frame		1
E	Top		1
F	Bottom		1
G	Middle shelf		1
H	Middle side plate		1
I	Shelf		2
J	Shelf buckle		8
K	Glass door		1
L	Iron gate		1
M	Drawer Wai		2
N	Bottom drawer		2
O	Panel		2

## BZ-F-B2D Installation Instructions

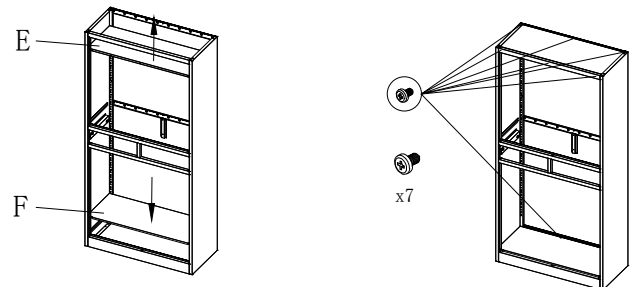
1. Screw the A and B installed to C



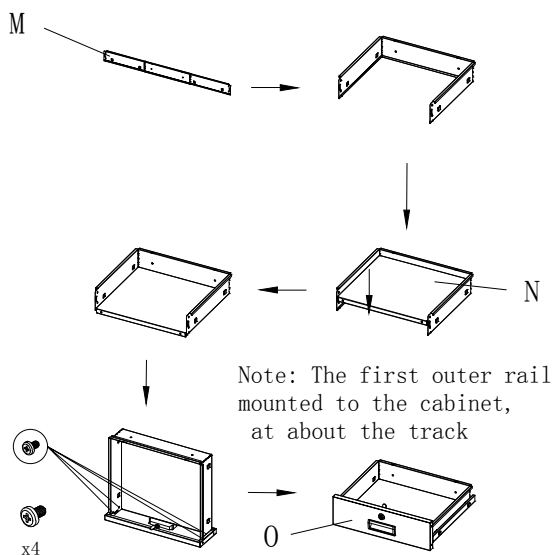
2. As shown, the mounting D



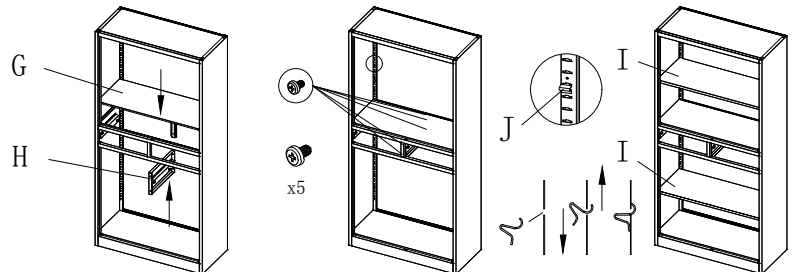
3. Figure E and F to the cabinet installation



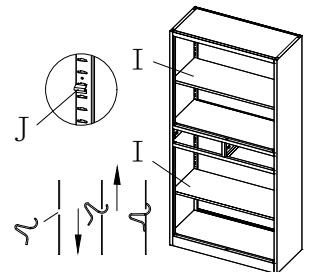
6. According to the sequence diagram drawer assembly



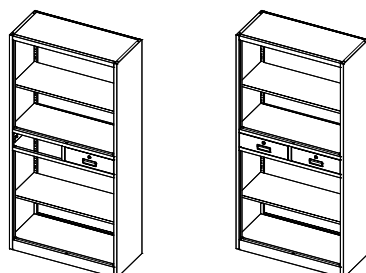
4. G and H to the cabinet installation



5. Figure installing J, then install the I to the cabinet



7. Install the assembled drawer to the cabinet



8. K and L to the cabinet installation

