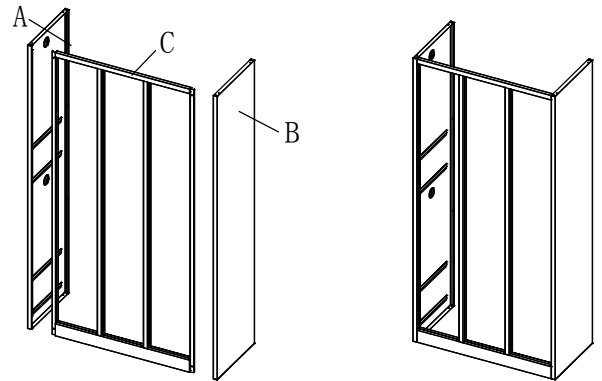


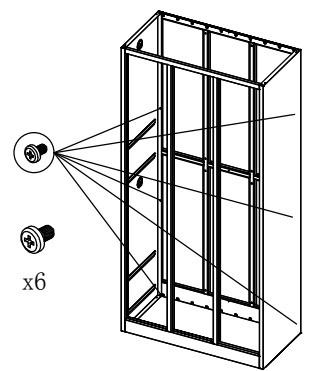
BZ-C-C6 Installation Instructions

Part ID	Description	Illustration	Qty
A	Left Side Panel		1
B	Right Side Panel		1
C	Front Frame		1
D	Rear Wall		1
E	Top		1
F	Bottom		1
G	Big Shelf		1
H	Middle side		2
I	Middle side		2
J	Shelf		2
K	Shelf		4
L	Door		6

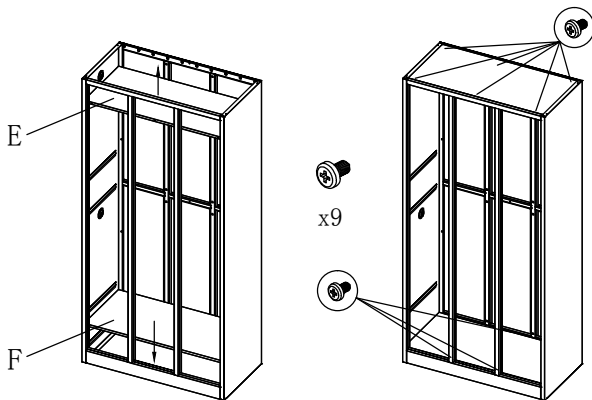
1. Link A, B with C



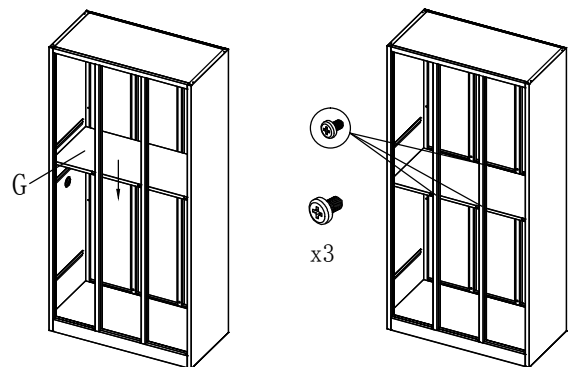
2. Connect D and A, B, and fixed with screws



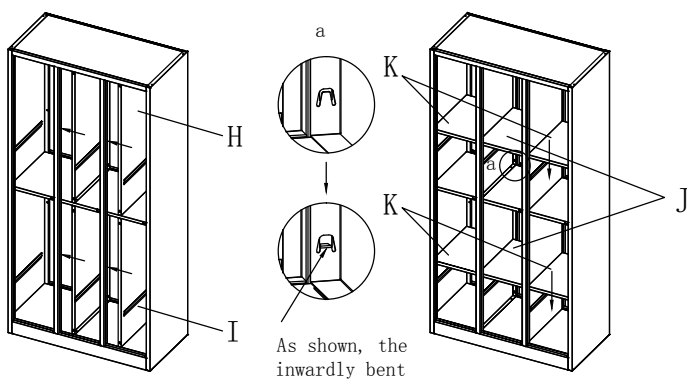
3. Installing E, F to the cabinet, and secure with screws



5. Installing the G to the cabinet, and secure with screws



4. Installing H, I, J, K to the cabinet, as shown below



6. The L from the bottom upwards to the cabinet installation

