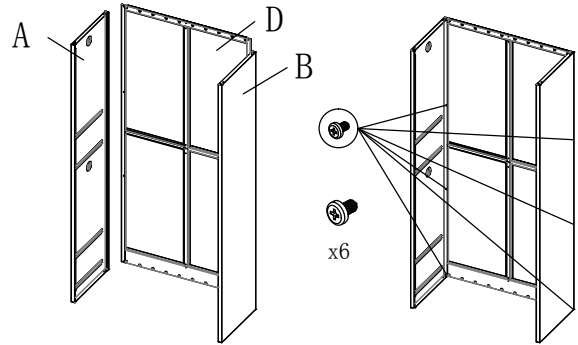


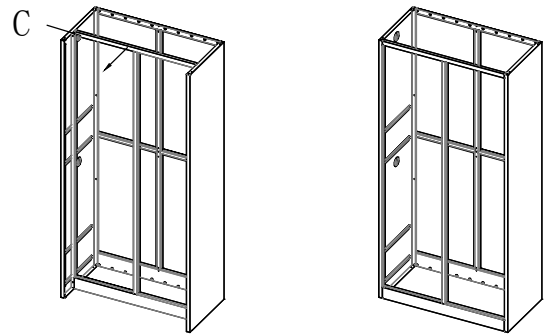
Part ID	Description	Illustration	Qty
A	Left side plate		1
B	Right side plate		1
C	Front frame		1
D	Rear Wall		1
E	Top		1
F	Bottom		1
G	Big Shelf		1
H	Middle side	Big	1
I	Middle side	Small	1
J	Shelf	Big	2
K	Shelf	Small	2
L	Door		4

## BZ-C-C4 Installation Instructions

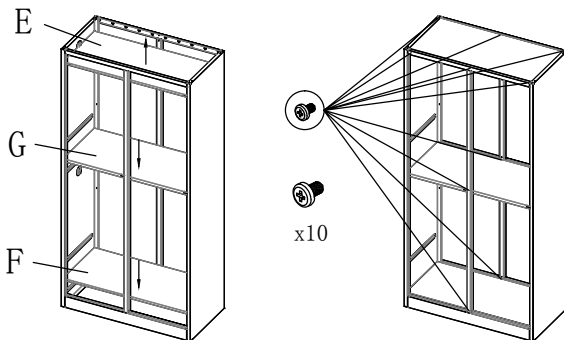
1. Use screws to A and B mounted to the D



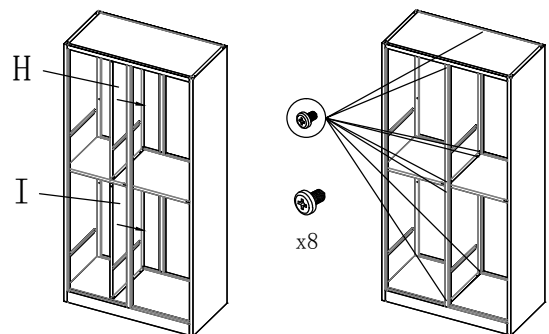
2. As shown, install the C to the cabinet



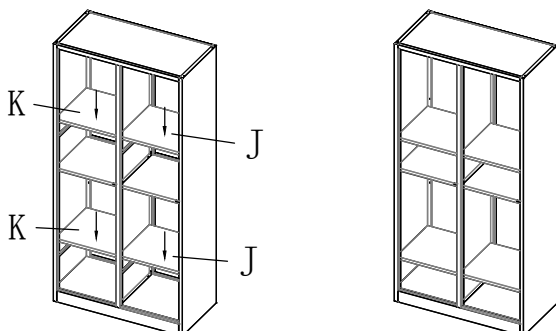
3. Installing E, G, F to the cabinet, and secure with screws



4. Figure, installation H and I, and secure with screws



5. As shown, the mounting K and J



6. The L from the bottom upwards to the cabinet installation

