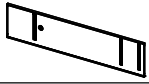
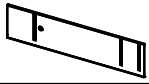


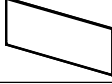

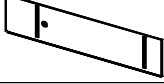
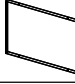
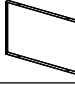

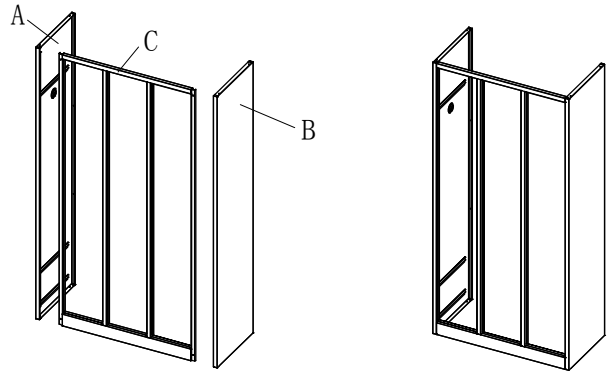


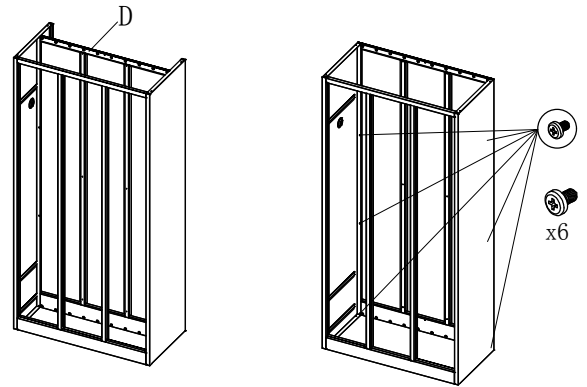
BZ-C-C3 Installation Instructions

Part ID	Description	Illustration	Qty
A	Left Side Panel		1
B	Right Side Panel		1
C	Front frame		1
D	Rear Wall		1
E	Top		1
F	Bottom		1
G	Middle Side Panel		2
H	Small Shelf		4
I	Big Shelf		2
J	Door		3

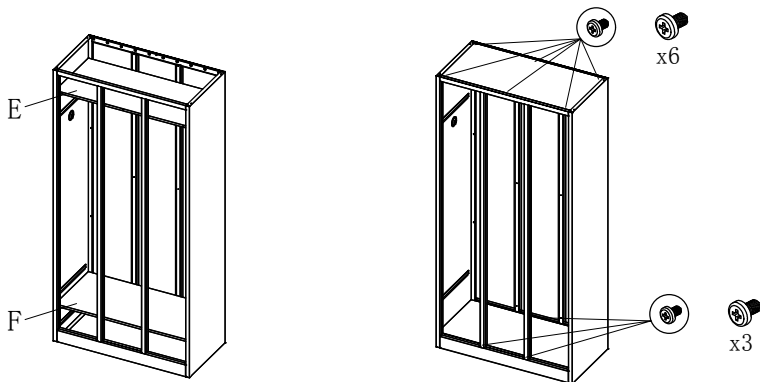
1: As shown, the C attached to A, B inside



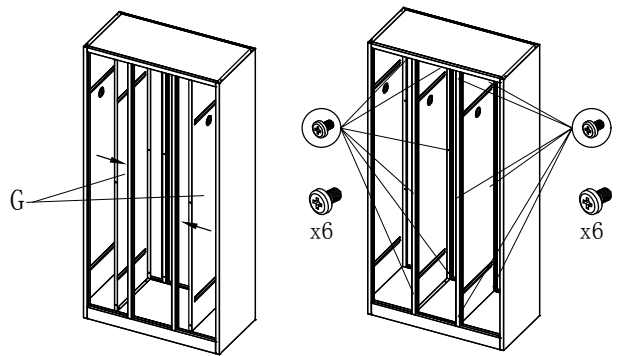
2: Screw the A, B and D connector



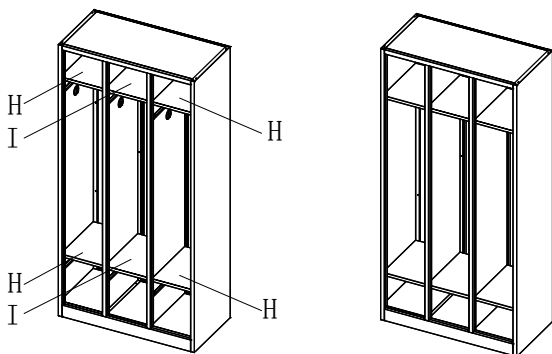
3. Screw the E, F mounted to the cabinet



4. As shown, install the G to the cabinet, and secure with screws



5. Installing H, I to the cabinet



6. Install J into body of cabinet

