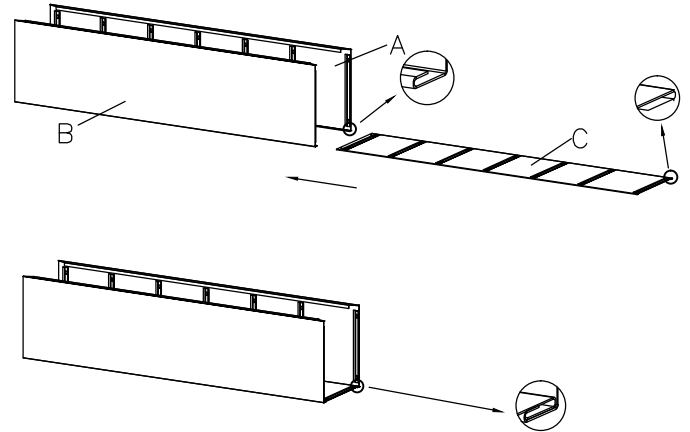


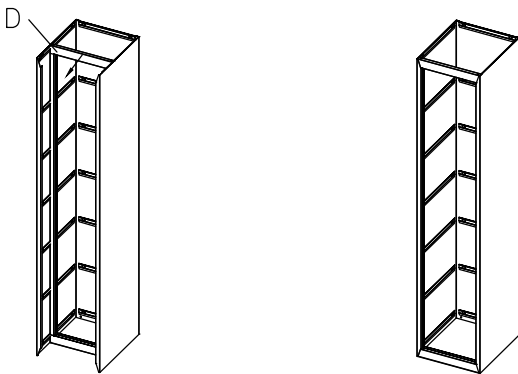
Part ID	Description	Illustration	Qty
A	Left Side Plate		1
B	Right Side Plate		1
C	Rear Wall		1
D	Front Frame		1
E	Shelf		2
F	Middle Shelf		5
G	Door		6
H	Lock		6
I	Door Shaft		1

## BZ-C-A6 Installation Instructions

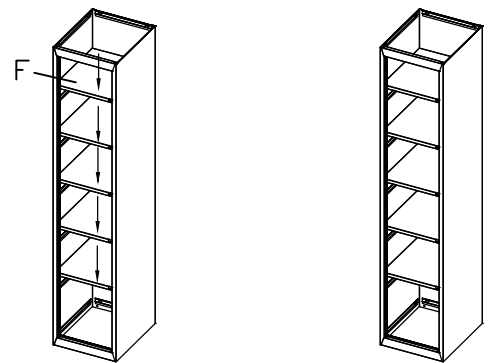
1. As shown, the C assemble into A, B in



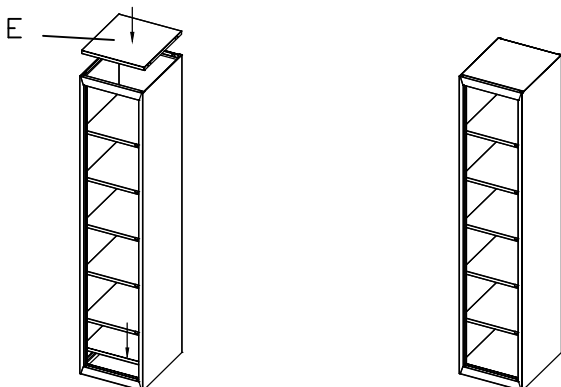
2. Installing the D to the cabinet



3. Figure, mounted to the cabinet of F



4. The E attached to the cabinet



5. Attached to the H on G, then G were installed from the bottom up

