


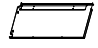


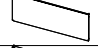

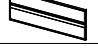
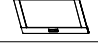


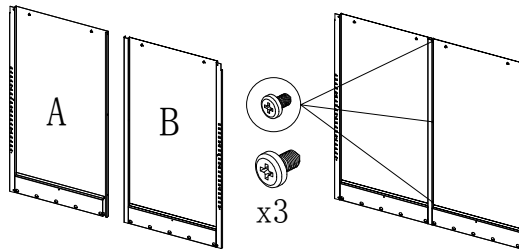


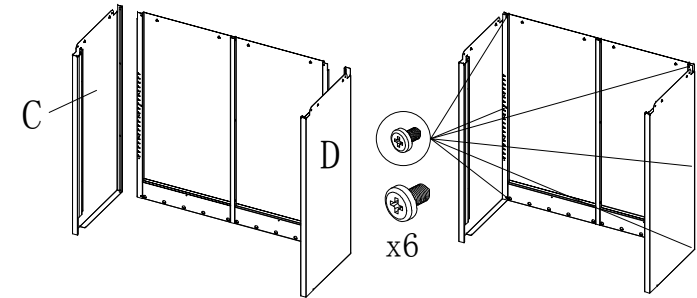
# FC-E9 Installation Instructions

Part ID	Description	Illustration	Qty
A	Left back		1
B	Right back		1
C	Left side plate		1
D	Right side plate		1
E	On the box		1
F	Lower frame		1
G	Bottom		1
H	On top		1
I	Shelf		1
J	Left glass door		1
K	Right Glass Door		1
L	Hanging buckle		4

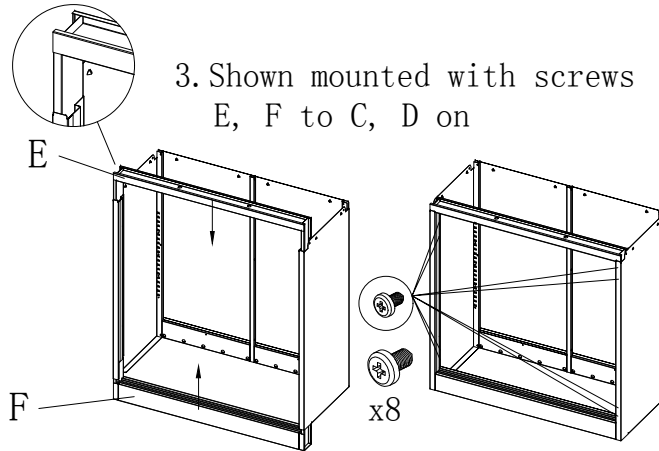
1. Mounted with screws A, B



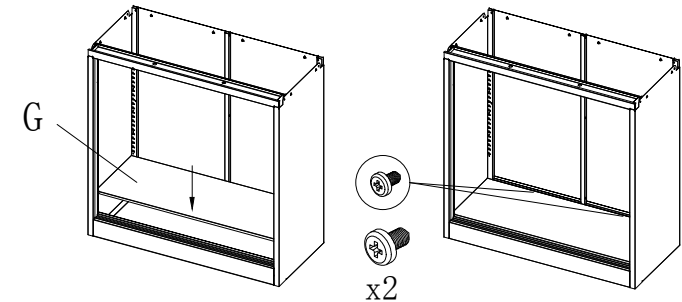
2. Mounted with screws C, D to A, B on



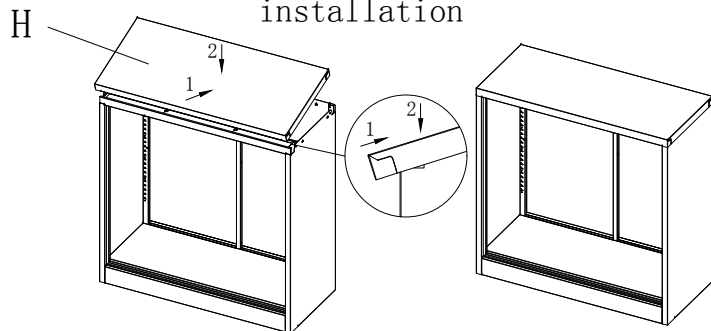
3. Shown mounted with screws E, F to C, D on



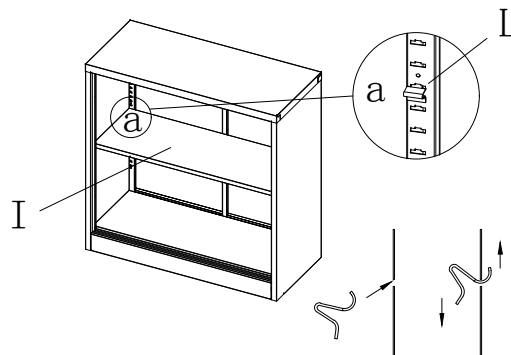
4. With screws install the G to the cabinet upper



5. Figure H to the cabinet installation



6. Figure install L, then install the I



7. Finally installed in order J, K (installed)

