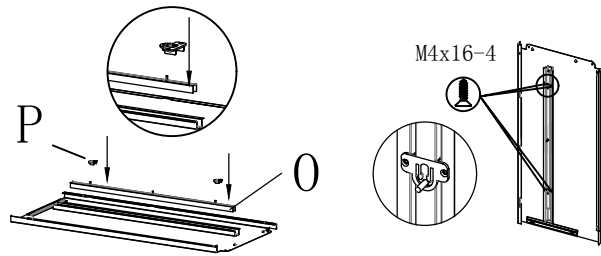
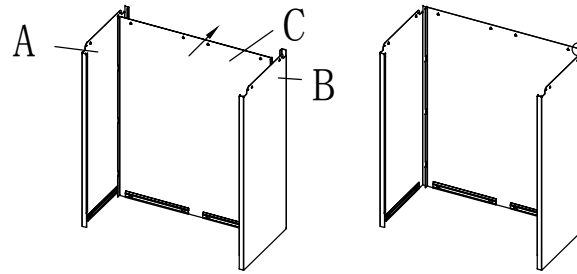


# BZ-F-D3W Installation Instructions

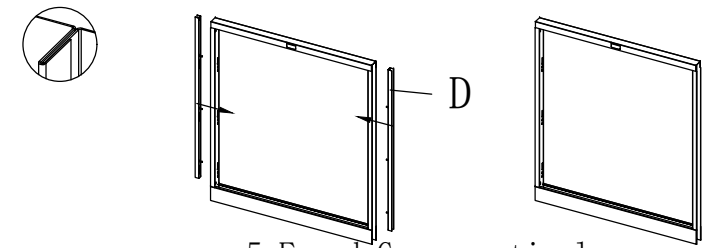
1. O and P in turn is mounted to the A, B, and with screws P, rivet attention on the mounting position O (Interlocking parts of the drawing are no longer displayed in the back step)



2. Save the A and B into C



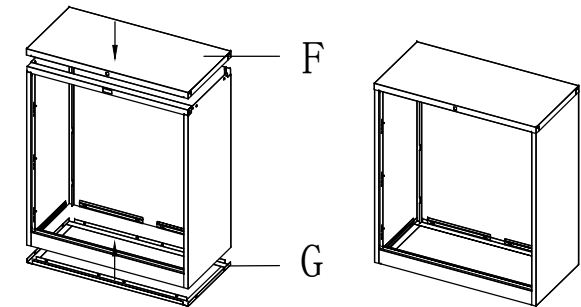
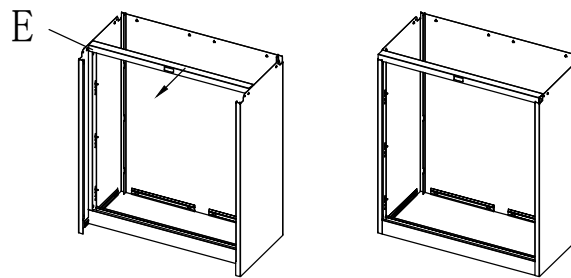
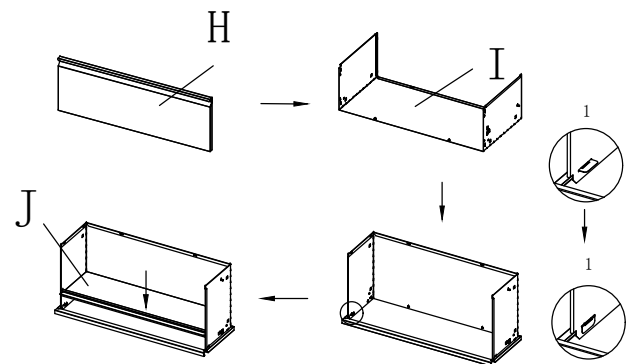
3. As shown, the D is mounted to E



4. Install the E to the cabinet

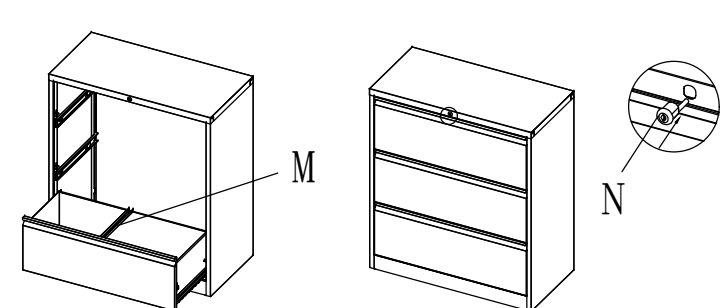
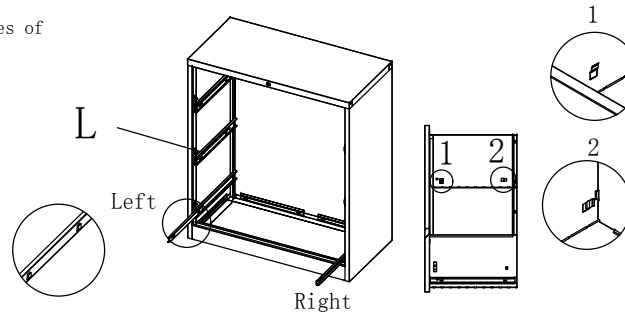
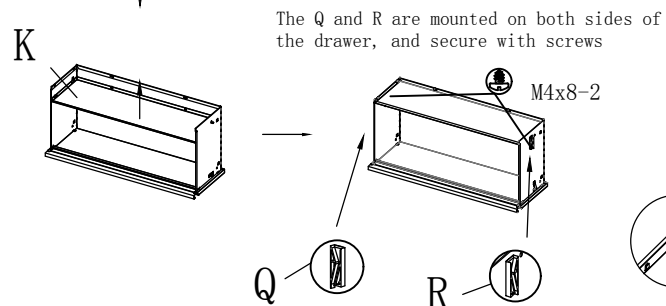
5. F and G respectively mounted to the cabinet

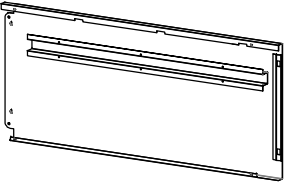
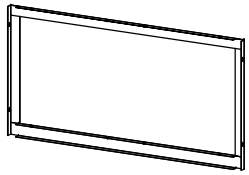

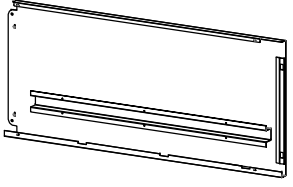
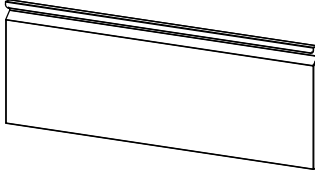
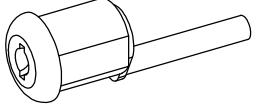
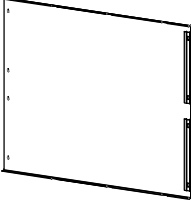
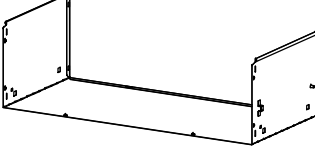


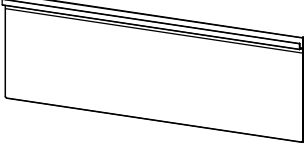
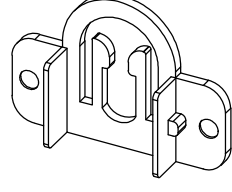
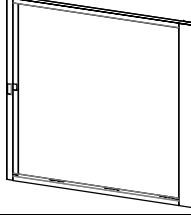

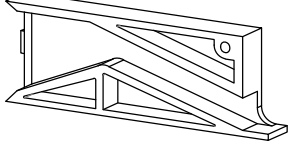
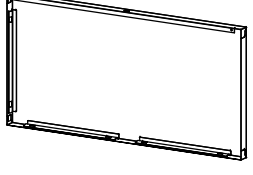

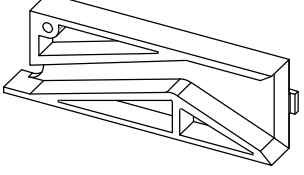
6. Assembled according to the following sequence diagram drawer



7. The L attached to the cabinet, pay attention at about L

8. Install the assembled drawer cabinet and fitted with M and N



Part ID	Description	Illustration	Qty	零件号	Description	Illustration	Qty	Part ID	Description	Illustration	Qty
A	Left side plate		1	G	Bottom frame		1	M	Prop rod		6
B	Right side plate		1	H	Face of Drawer		3	N	Lock		1
C	Rear Wall		1	I	Side of Drawer		3	O	Interlock bar		2
D	Lock lever		2	J	Front of Drawer		3	P	Interlock snap		4
E	Front frame		1	K	Back of Drawer		3	Q	Interlock block (Left)		3
F	Top		1	L	Slide Left                  Right		3	R	Interlock block (Right)		3