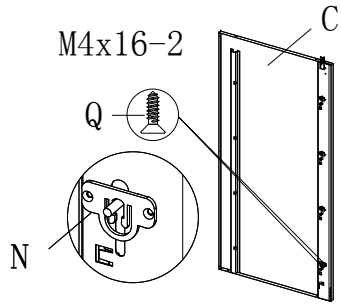
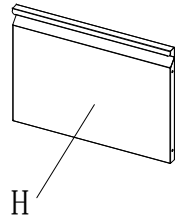


# Vertical File Cabinet Installation Instructions

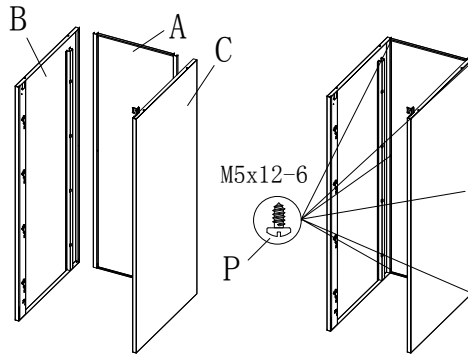
1: As shown, with Q fixed at C on the N



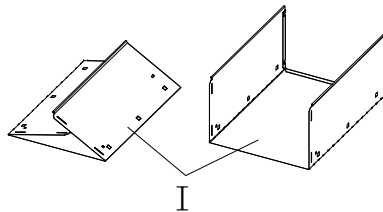
a:



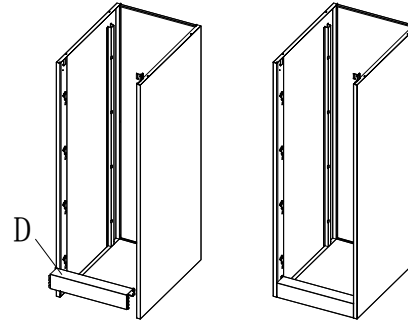
2: The B, C mounting onto A, with P fixed



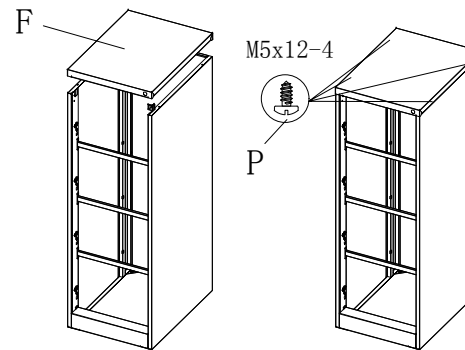
b: Open I



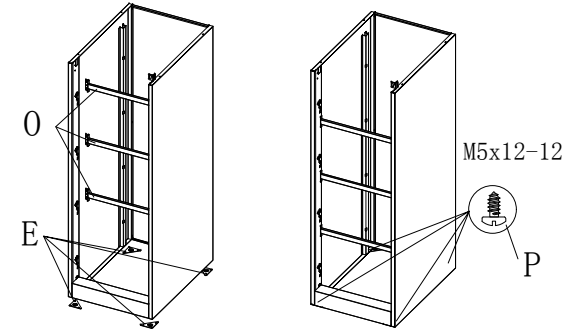
3: D as shown in the attached to B, C



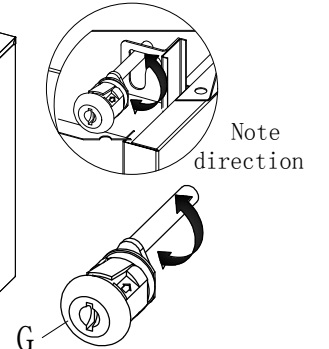
5: F to cabinet installation, with P fixed



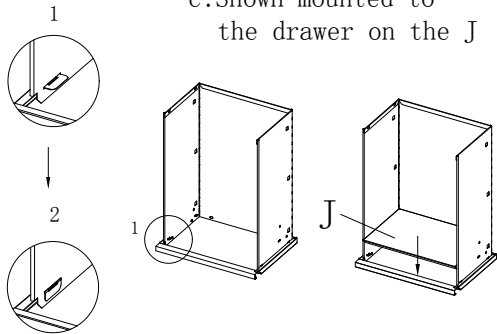
4: The O, E as shown mounted to the cabinet, With P fixed E



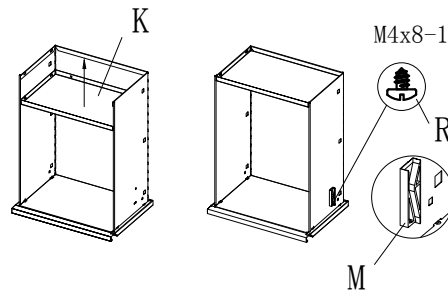
6: As shown installed rails L, G locks (When installing G, there is a note that locks the arrow side up, the rotational direction of the latch is shown below)



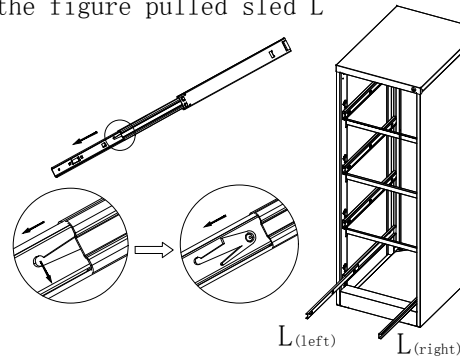
c: Shown mounted to the drawer on the J



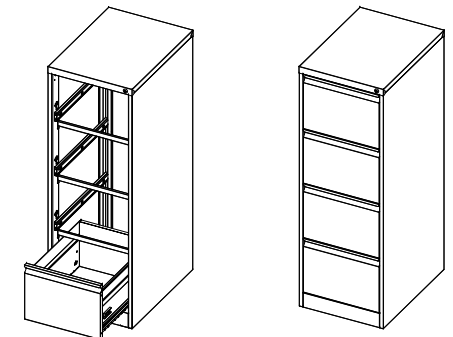
d: Installation shown in Figure K; M to install I, and with R fixed

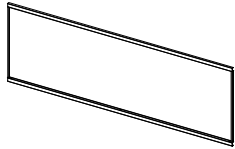
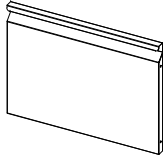
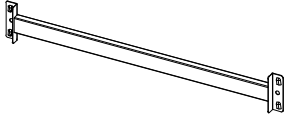
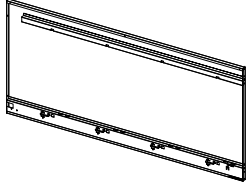
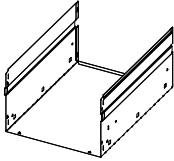
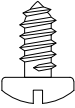
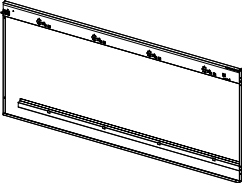
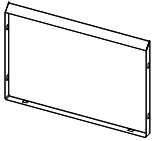
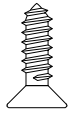
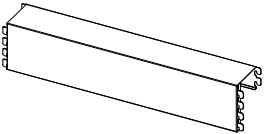
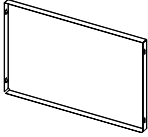

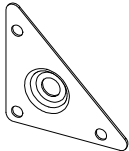
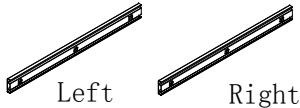
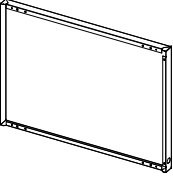
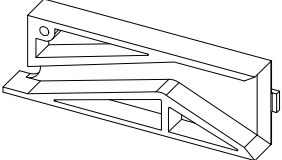
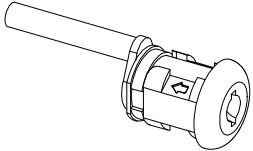
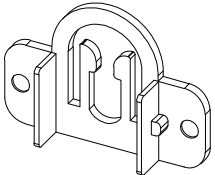


e: When installing refer to the figure pulled sled L



7: Packed onto the drawer on the cabinet (installed)



| Part ID | Description      | Illustration  | Qty | Part ID | Description     | Illustration  | Qty | Part ID | Description  | Illustration  | Qty |
|---------|------------------|---|-----|---------|-----------------|---|-----|---------|--------------|---|-----|
| A       | Back             |    | 1   | H       | Drawer panel    |    | 4   | O       | Rod          |  | 3   |
| B       | Left side plate  |    | 1   | I       | Drawer Doo Wai  |    | 4   | P       | Screws M5*12 |  | 22  |
| C       | Right side plate |    | 1   | J       | Front Closed    |    | 4   | Q       | Screws M4*16 |  | 2   |
| D       | Lower frame      |    | 1   | K       | After plugging  |    | 4   | R       | Screws M4*8  |  | 4   |
| E       | Connecting piece |   | 4   | L       | Track           |   | 4   | S       |              |   |     |
| F       | Top              |  | 1   | M       | Interlock block |  | 4   | T       |              |   |     |
| G       | Lock             |  | 1   | N       | Interlock snap  |  | 1   | U       |              |   |     |