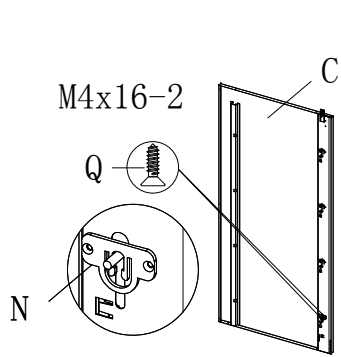
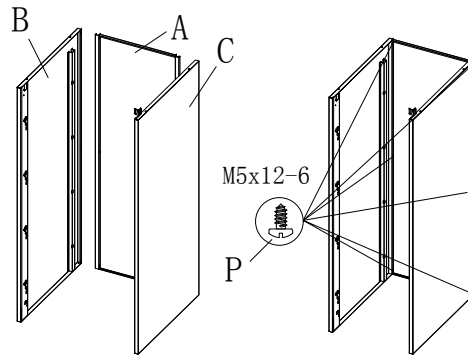


# Vertical File Cabinet Installation Instructions

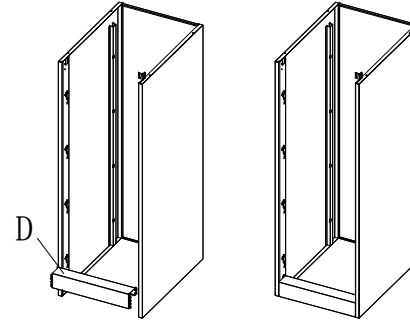
1: As shown, with Q fixed at C on the N



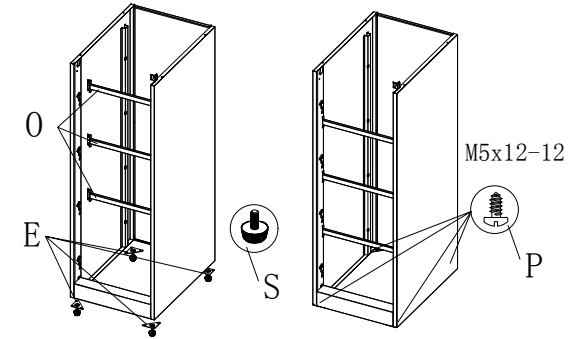
2: The B, C mounting onto A, with P fixed



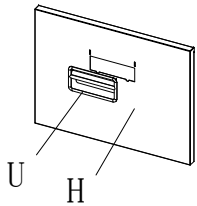
3: D as shown in the attached to B, C



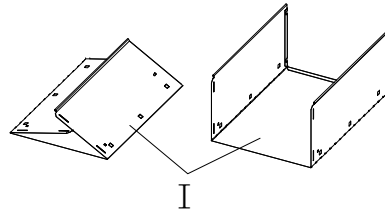
4: The O, E as shown mounted to the cabinet, With P fixed E



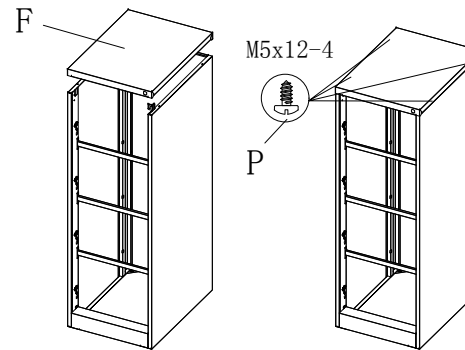
a: Install U to H



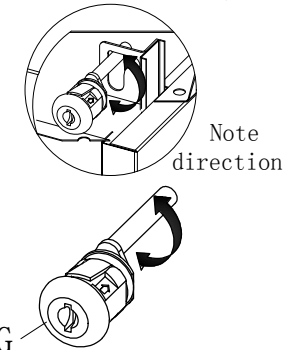
b: Open I



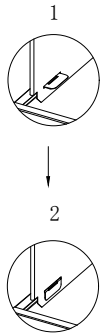
5: F to cabinet installation, with P fixed



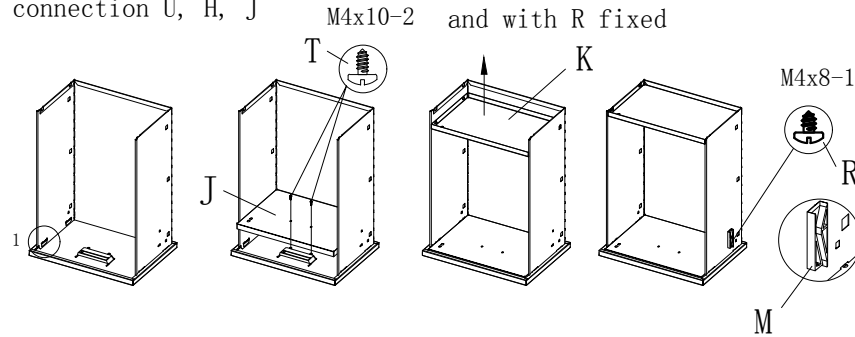
6: As shown installed rails L, G locks (When installing G, there is a note that locks the arrow side up, the rotational direction of the latch is shown below)



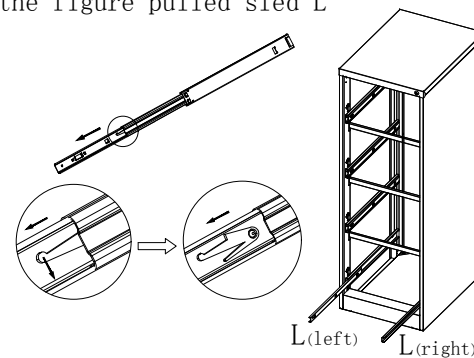
c: As the L mounted to the drawer, and with T connection U, H, J



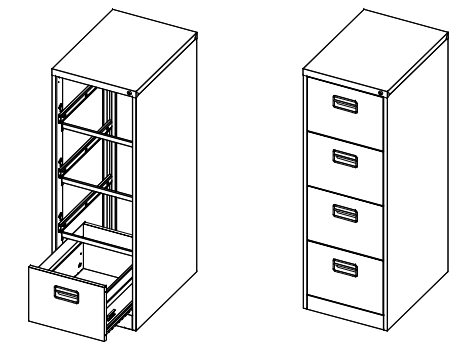
d: Installation shown in Figure K; M to install I, and with R fixed

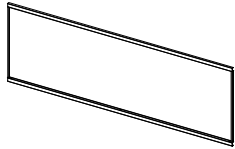
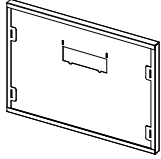
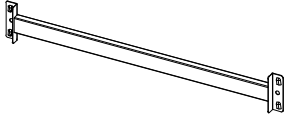
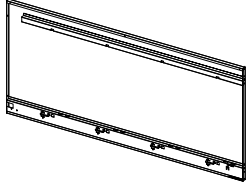
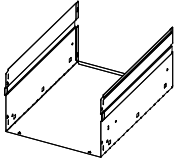
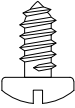
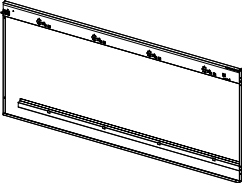
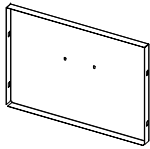
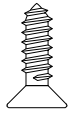
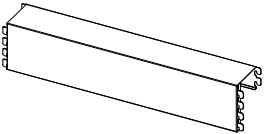
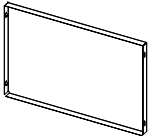

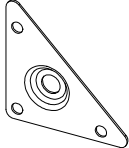
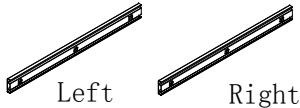
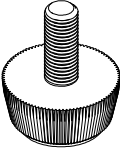
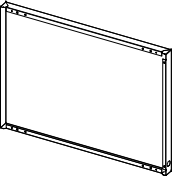
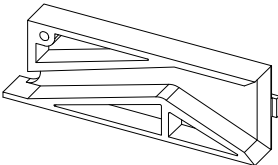
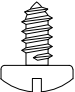
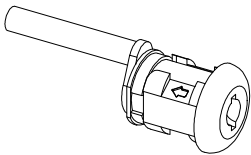
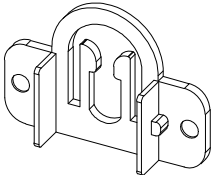
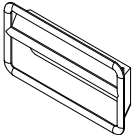


e: When installing refer to the figure pulled sled L



7: Packed onto the drawer on the cabinet (installed)



Part ID	Description	Illustration	Qty	Part ID	Description	Illustration	Qty	Part ID	Description	Illustration	Qty
A	Back		1	H	Drawer panel		4	O	Rod		3
B	Left side plate		1	I	Drawer Doo Wai		4	P	Screws M5*12		22
C	Right side plate		1	J	Front Closed		4	Q	Screws M4*16		2
D	Lower frame		1	K	After plugging		4	R	Screws M4*8		4
E	Connecting piece		4	L	Track		4	S	Adjustable feet		4
F	Top		1	M	Interlock block		4	T	Screws M4*10		8
G	Lock		1	N	Interlock snap		1	U	Hand-clasping		4